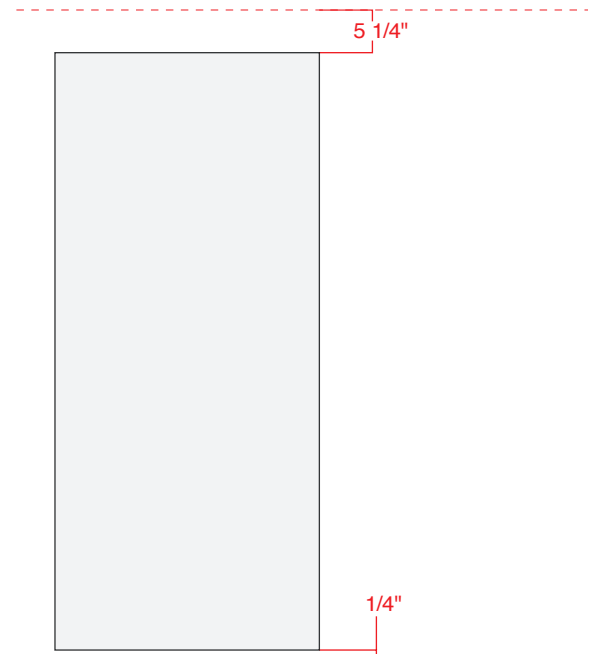
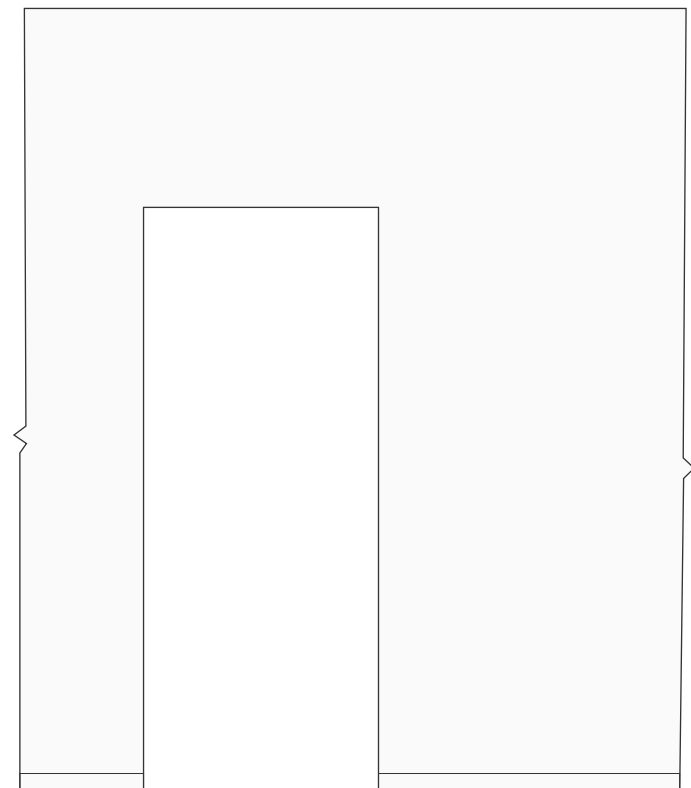


Sliding Door Hardware

Rob Roy stainless Installation Instructions



KROWN LAB



Read first:

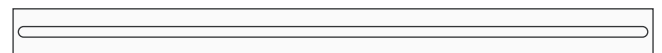
Please read through these instructions and the Terms and Conditions before beginning installation. Refer to the Full Specifications for structural requirements related to your installation.

Measure twice....

Before beginning installation, ensure that the hardware will allow your door panel to travel to desired open and closed positions following these instructions. Shifting track location laterally on the wall, as well as altering the location that the brackets are mounted on top of the door panel, could accommodate your particular installation requirements better than the standard instructions outlined in this document.

1. Determine accurate track height:

Add 5 1/4" to the overall height of the door panel. This is the height of the track mount screws that results in a door panel ground clearance of 1/4". This clearance is recommended if the included Bottom Guide Post assembly is used. In this case, a 1/2" deep and 1/2" wide channel needs to be routed out of the bottom of the door panel across its entire length as shown below.



Door panel bottom view

Note: A separate Bottom Guide track is available if routing out the bottom of the door panel is not preferred or not possible. If this product is installed, add 5 5/8" to the overall height of the door panel as there needs to be a 5/8" clearance from the bottom of the door panel and the floor.

Sliding Door Hardware



Rob Roy stainless Installation Instructions

KROWN LAB

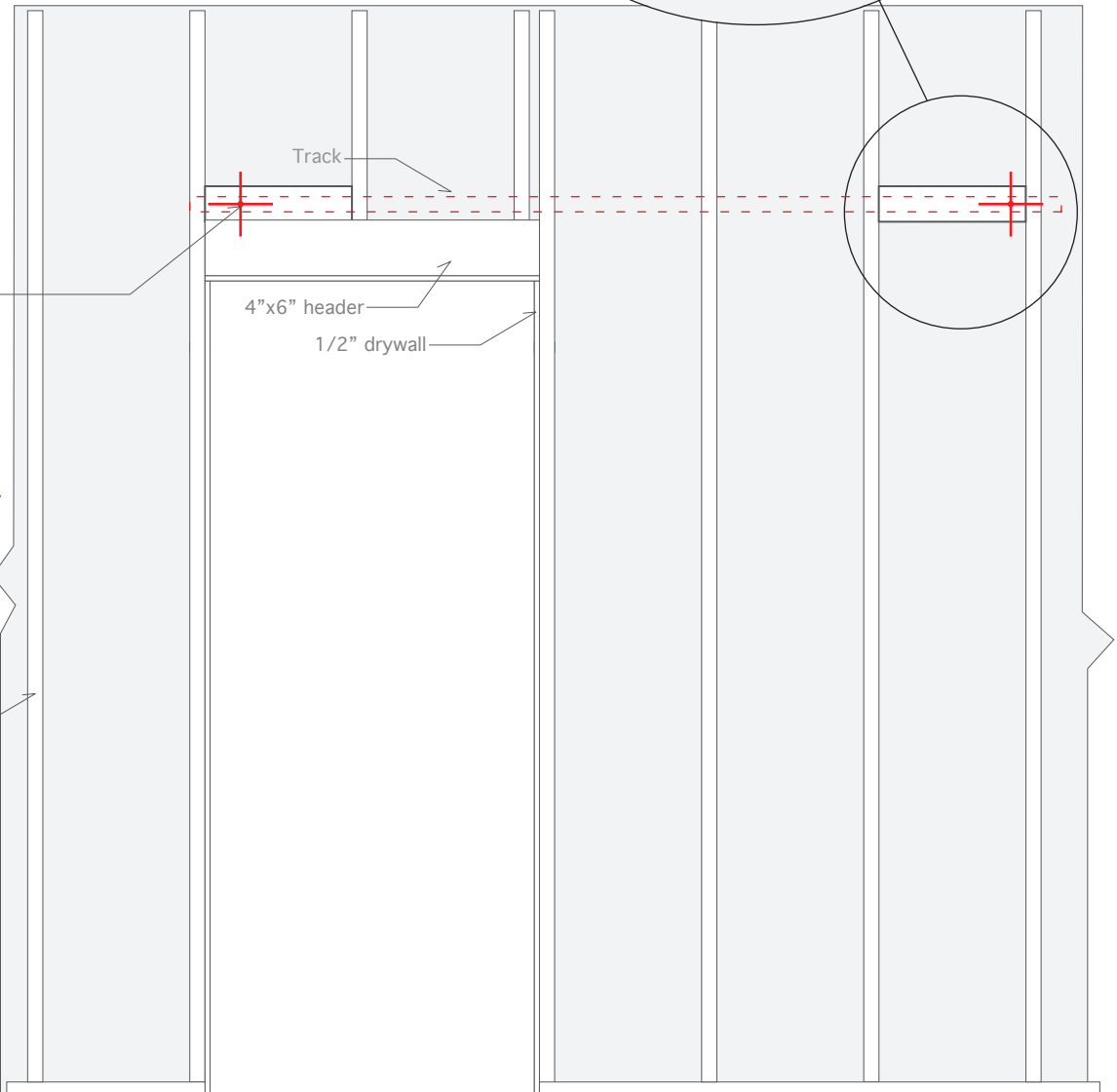
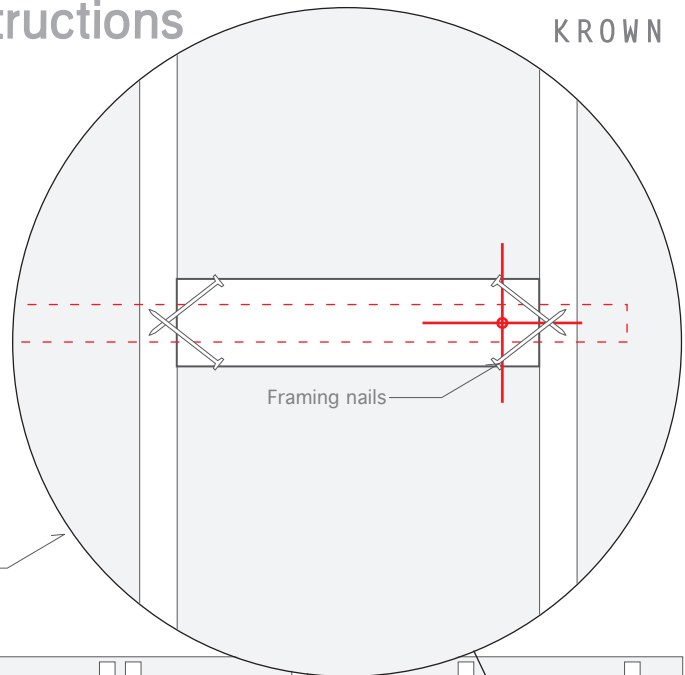
All of our sliding door hardware require that the track attachment points are properly engaged in structural material. It is really quite easy:

In new construction, simply ensure that appropriate blocking is added in the correct locations during framing prior to dry walling takes place. In renovations, cut open the drywall in between studs to insert appropriate blocking in the correct locations.

Reference the specifications for each particular product. Stud locations and spacing may vary in your wall.

Typical stud construction with studs at 16" on center, 4"x6" door header, and 1/2" drywall. Stud locations and spacing can be different in your wall.

2"x4" blocking shown secured between studs using framing nails



Height of blocking is driven by the overall height of door panel.

Track mounting point location is approximately 5" above the height of door panel depending on product.

Ensure that blocking is located in this area for secure mounting.

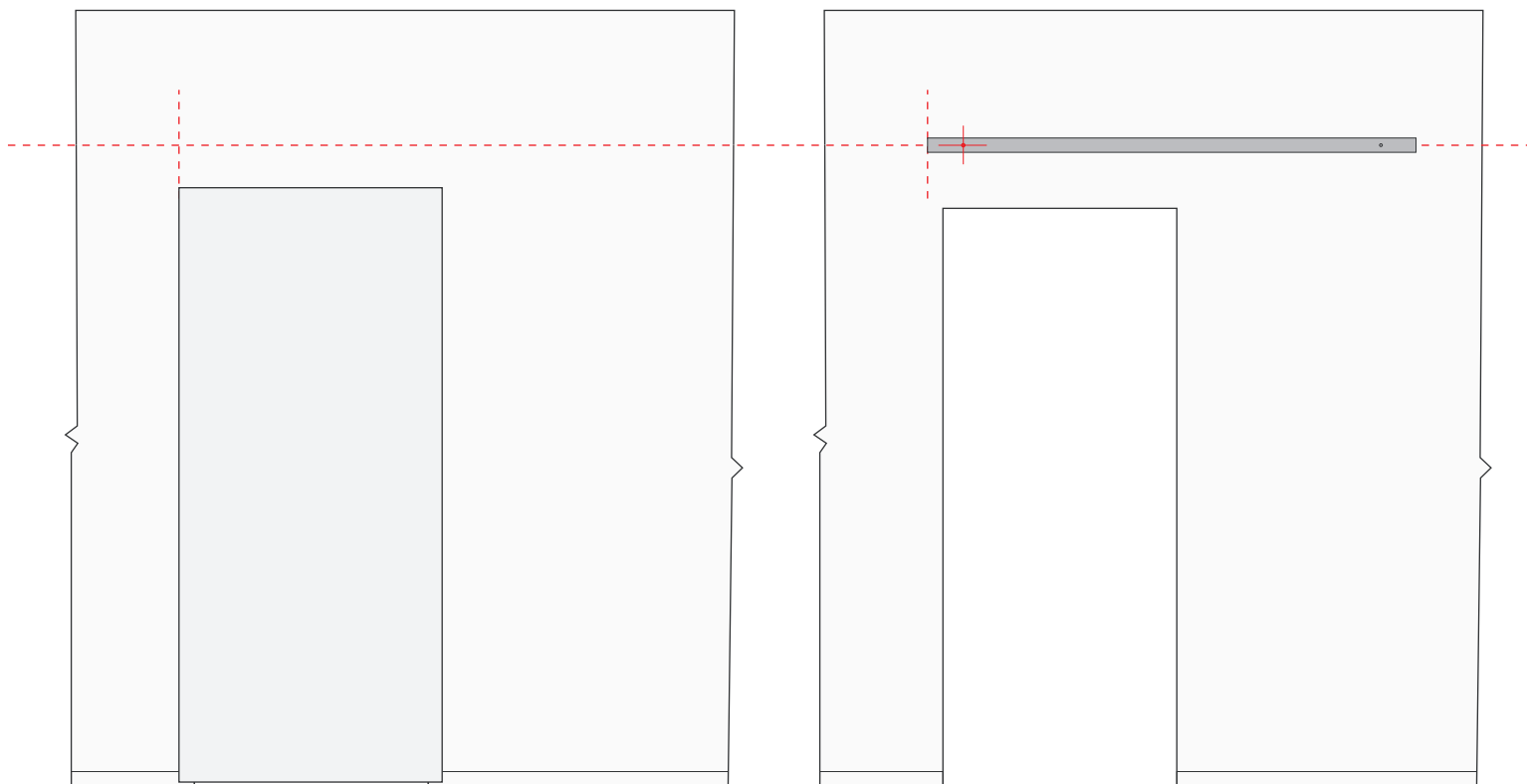
2"x4" studs

Sliding Door Hardware

Rob Roy stainless Installation Instructions



KROWN LAB



2. Determine door panel location:

Position door panel in front of door opening simulating your desired fully closed position. In most circumstances, we recommend that the door panel is centered on door opening. Project a line upward from door edge as shown. This line represents the edge of the track.

3. Attach first end track mounting point:

Position the track on the wall lining up with the projected lines as shown. Mark and pre-drill and attach one of the track end attachment locations using the provided fastener assembly and track end mount.

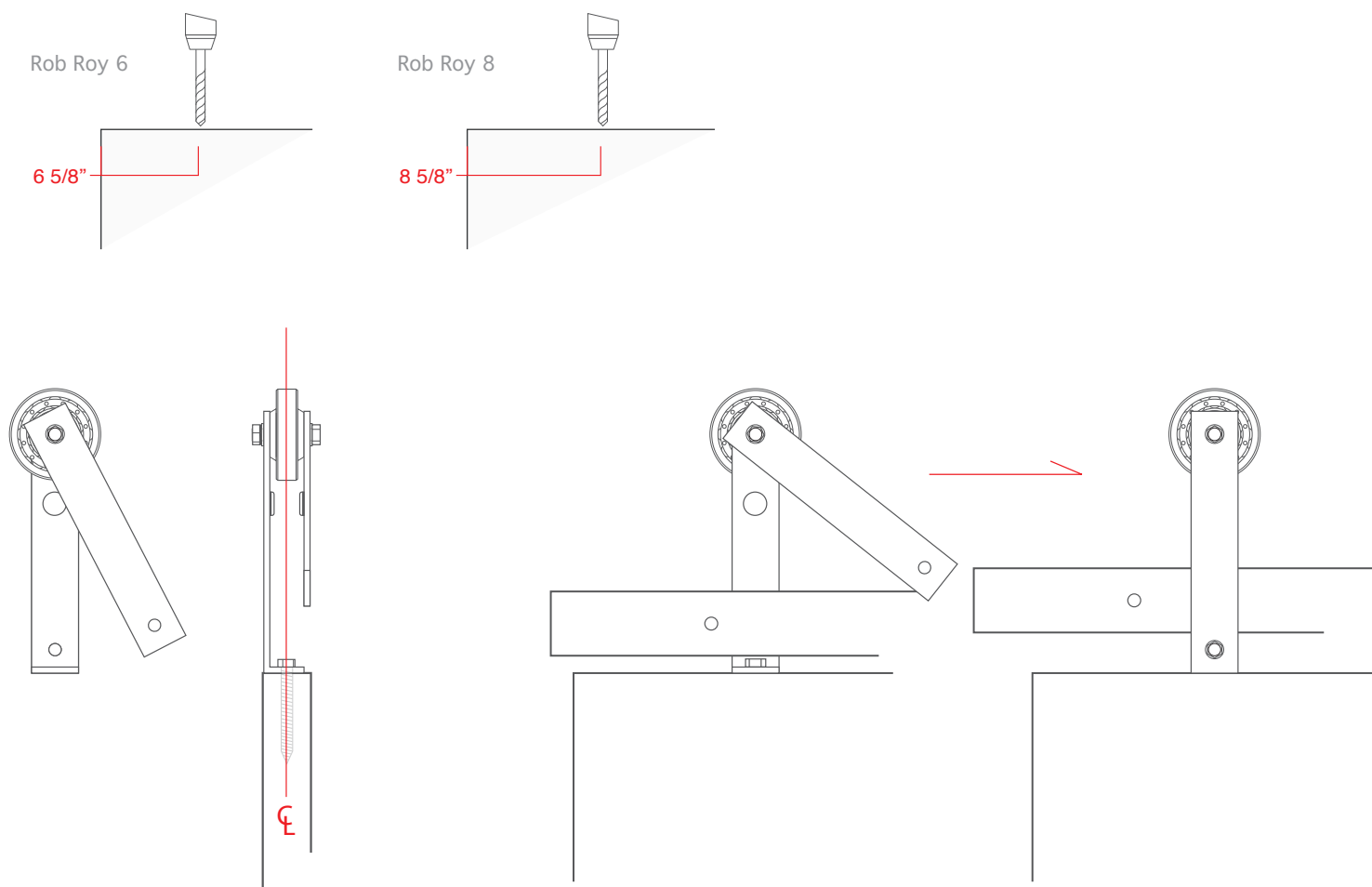
Ensure that there are structural members in the wall at the attachment location as outlined in this document and the Full Specifications for your product.

Sliding Door Hardware



Rob Roy stainless Installation Instructions - top mount

KROWN LAB



4. Attach brackets to door panel, step 1:

Remove the lower bolt assembly and position the brackets on top of the door panel as indicated above. Ensure that the attachment point is directly centered above the center line of the door panel. Mark, pre-drill, and install using the provided hex head fastener.

Following these instructions will make the edge of the door panel line up with the end of the track in fully closed and open positions. Adjust bracket mounting positions if desired.

Note: These instructions refer to all of our product configurations using our standard track end mounting positions 5" in from each track end. If this is a custom order, please adjust accordingly.

5. Attach brackets to door panel, step 2:

Carefully place the track in between the brackets as shown above and reattach the lower bolt assembly. Be careful not to scratch the track.

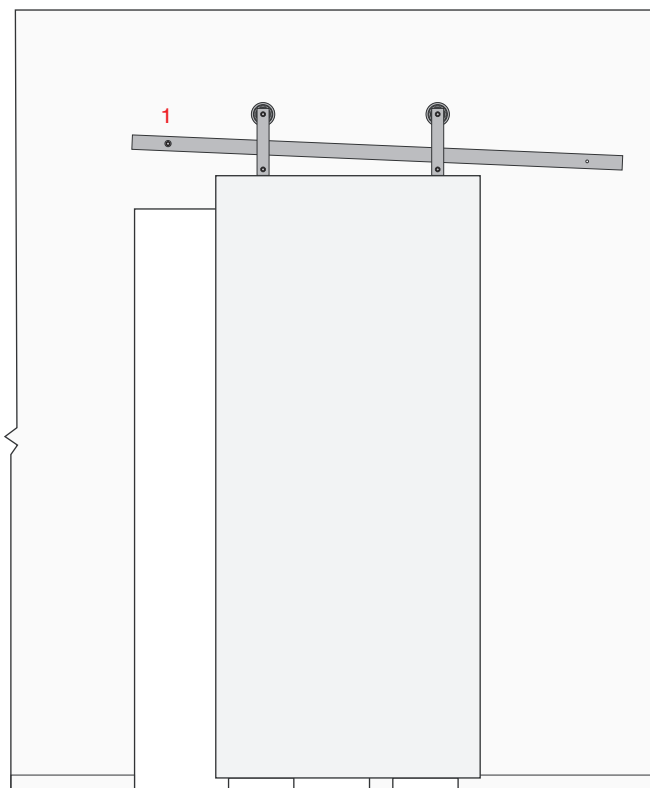
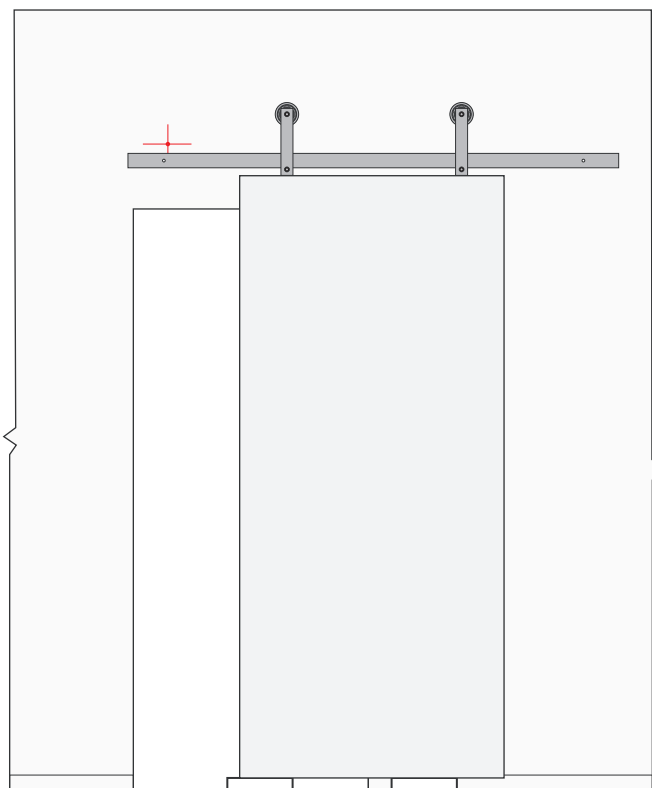
Note: Make sure the blue protected track sticker is facing outward.

Sliding Door Hardware

Rob Roy stainless Installation Instructions



KROWN LAB



5. Position door for track installation:

Position door panel in front of door opening elevated off the floor approximately 1.5" or more, and carefully rest the track in between the two vertical plates of the fully secured brackets.

Depending on weight of door, if bottom guide track is used, place wood or other profile in guide track to protect it prior to elevating the door of the floor, as described above.

7. Attach track to wall, step 1:

Install the pre-drilled side of the track using the supplied track mount and track mount screw. Make sure that the bumper stop is facing the track. Install the optional track mount spacer if needed. Be careful not to damage the glide pads on the inside of the brackets.

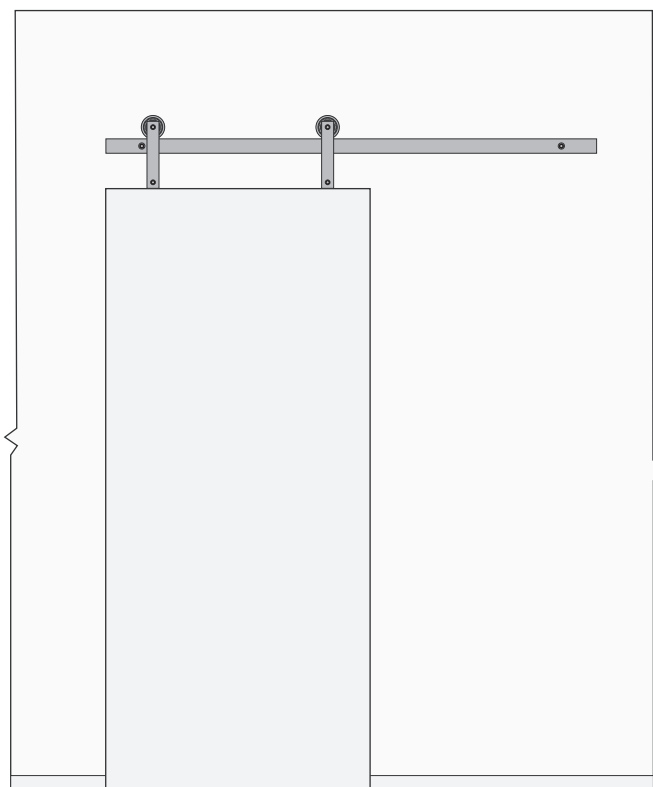
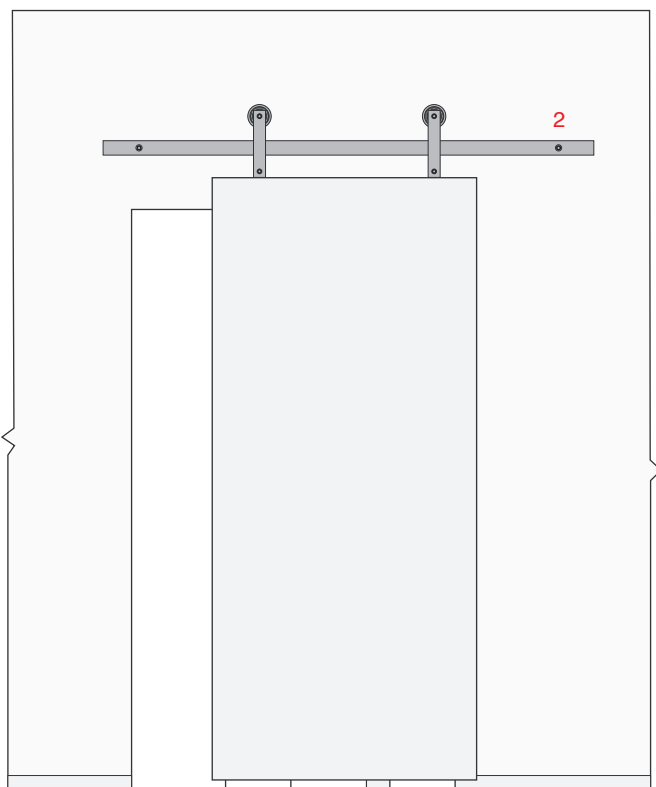
Do not fully tighten the track mount screw at this time.

Sliding Door Hardware

Rob Roy stainless Installation Instructions



KROWN LAB



8. Attach track to wall, step 2:

Using a level, mark, pre-drill, and install the other side of the track. Be careful not to damage the glide pads on the inside of the brackets.

Fully tighten both track mount screws.

9. Finish installation:

Carefully lower the door by removing the object(s) used to prop up the door panel assembly.

(10). Bottom Guide post*:

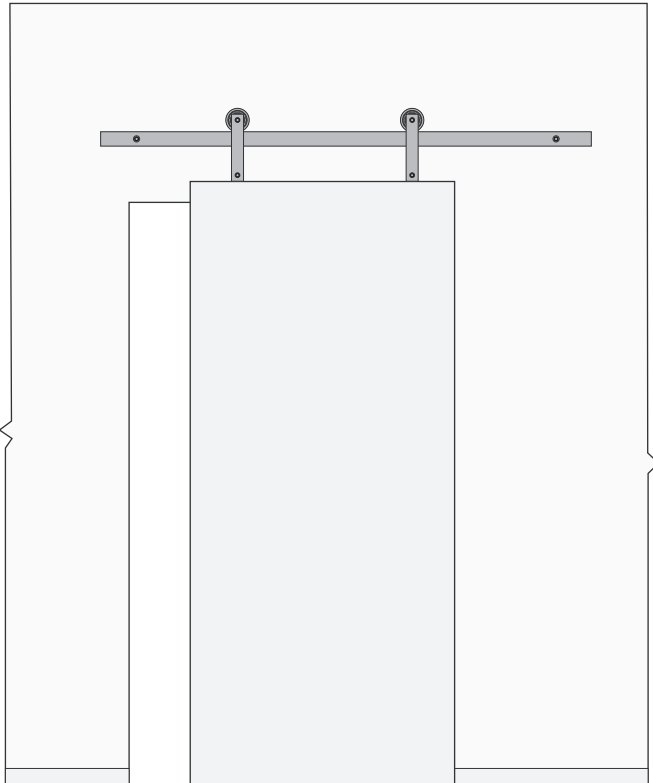
If a bottom guide is used, check the door panel location in fully open and closed position. Install the Bottom Guide Post immediately adjacent to the opening, ensuring that the door panel is properly engaging the post in both fully open and closed position. Install the Bottom Guide Post so that the door panel is allowed to hang perfectly plum.

Sliding Door Hardware

Rob Roy stainless Installation Instructions



KROWN LAB



Product care:

Our products are designed and engineered to last for a very long time. The track and brackets of Rob Roy are made from high quality stainless steel which requires no on going maintenance. The fasteners are made from carbon steel with a plain finish, and can therefore acquire a patina over time if installed in humid environments. The bearings can occasionally be in need of lubrication to operate smoothly and quietly.

We hope you will enjoy our product!

Thanks,

The Krown Lab Team