

Sliding Door Hardware

ODEN

Product Specifications



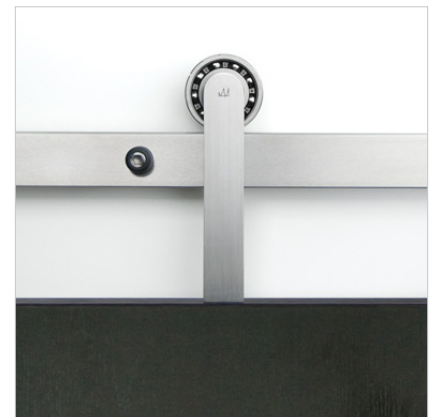
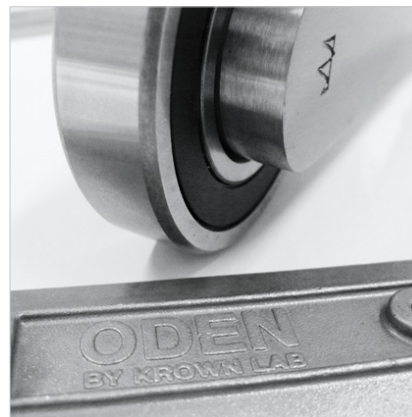
KROWN LAB



Shown with optional Track End Cap accessory (sold separately).

Pure Refined
Precision

Product Overview



Shown with exposed bearing.

Iconic Purity

Pure and refined sliding door hardware system that makes a statement in any application. Completely hidden fasteners add to the streamline aesthetic of this product. A sleek statement capturing timeless precision.

Precision Manufacturing

ODEN is made from high quality stainless steel and is manufactured using precision casting. All exterior surfaces have a precise and consistent machine finish, while the inside still has the beautiful natural finish that only high quality castings can provide.

System Specifications

- High quality stainless steel.
- Sealed (for outdoor use) or exposed 3" industrial bearings.
- Top mount configuration allows panels weighing up to 300 lbs and up to 3" thick.
- Includes trolleys, track, and mounting hardware.
- Standard and custom tacks.

Sliding Door Hardware



ODEN

Product Specifications

KROWN LAB

System Specifications

ODEN sliding door hardware system with sealed bearings makes it highly suitable for outdoor and dusty environments. Also available with exposed bearings for a raw industrial look.

The track mounting screws are to be properly engaged in at least 3" of structural material if the panel exceeds 100 lbs in weight.

Material and Product care

ODEN is made from high grade stainless steel, and resists rust and corrosion even in humid or coastal environments.

The product does not require any regular maintenance. To clean any time after install, use a lint free cloth or sponge. DO NOT use steel wool, or a Scotch Brite pad, as it can scratch the product.

What's Included

2 x ODEN trolleys complete with bearing assemblies, all necessary mounting hardware, and optional bearing stops.

1 x ODEN track complete with trolley stops and all necessary mounting hardware.

1 x Bottom guide post.*

*Bottom Guide Track sold separately.



ODEN 6 top mount shown

ODEN 6 Specifics

- Overall track length is 70". Spacing between attachment points is 60".
- For panels 36" wide or less*(1).
- Works best with door openings 32" wide or less*(2).

ODEN 8 Specifics

- Overall track length is 94". Spacing between attachment points is 84".
- Made for 42" to 48" panels*(1).
- Works best with door openings 44" wide or less*(2).

ODEN Custom Specifics

- The ODEN track can be custom cut to fit your specific application.
- Bi-parting and by-passing configurations available.
- Contact us for more specific information.

*(1) For narrower panels, our included Optional Bearing Stop can be used to reduce panel travel if desired.

*(2) We recommend that panels are at least 2" - 4" wider than the door opening.

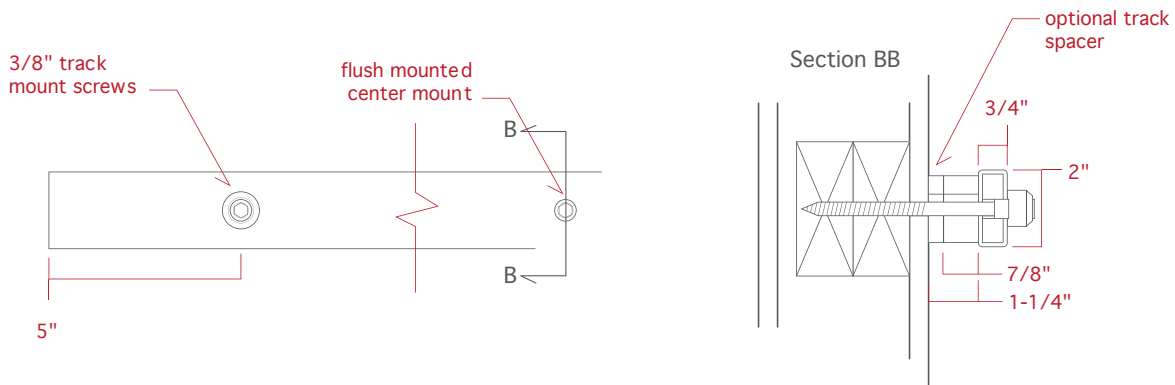
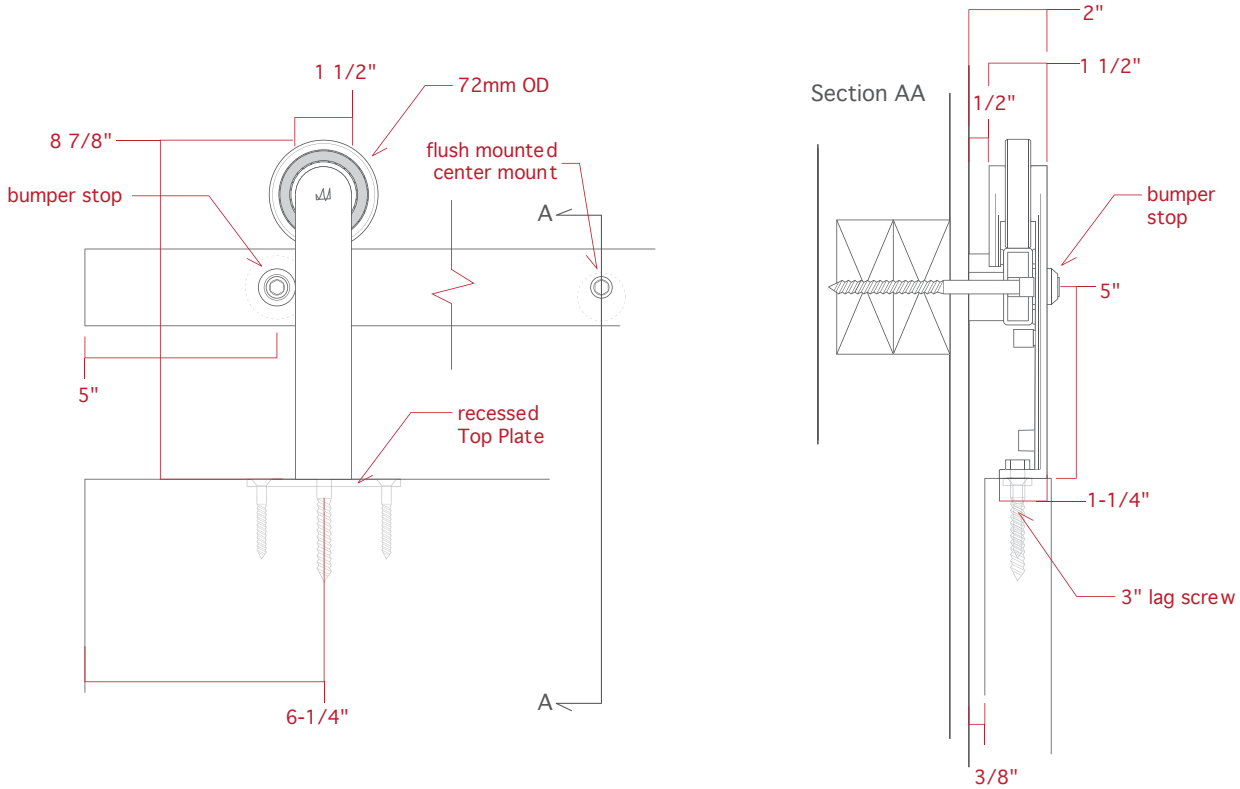
Sliding Door Hardware



ODEN Top Mount Technical Drawings

KROWN LAB

Compatible with wood panels up to 3" thick. Shown with 1-3/4" thick wood door panel.
Mounted through 1/2" drywall, into double 2 x 4 blocking between studs.



Sliding Door Hardware



Structural Information

KROWN LAB

General Overview

All of our sliding door hardware requires that the track attachment points are properly engaged in 3" of structural material with provided hardware. The wall or structure that your system will be mounted to must be designed to support the weight specified for the system of your choice.

System	Weight Limit
BALDUR	300 lbs
ODEN	300 lbs
ROB ROY	150 lbs

- Krown Lab products may not work with your existing stud locations.
- Most projects will require that additional structural material be inserted into your wall.
- In new construction, ensure appropriate blocking is added in the correct locations during framing prior to drywall installation.
- In renovations, cut open the drywall in between studs to insert appropriate blocking in the correct locations.
- Height of blocking is driven by the overall height of door panel.
- Track mounting point location is approximately 6" above the height of door panel depending on product.
- Check with your contractor and/ or local listings to confirm you are in accordance with local building codes.

Installation

All installation instructions are Krown Lab's recommendations only. Unit should only be installed considering locally prevailing building code and standards, and be done by qualified building professionals (experienced, competent tradesmen) with a comprehensive understanding of relevant material properties, and full building and site conditions. Krown Lab is not responsible for the inferior or incorrect installation performed by others. Krown Lab takes no responsibility of installation or performance of door panel, or any other component used in conjunction with track system. Krown Lab is not responsible for site conditions, including uneven floors or levels, walls out of square or plumb, for variations of size, design or shape of existing or new drywall (or any other material) openings, or by any other site-specific situation. Krown Lab is not responsible for any violations of building, electric, plumbing, zoning or other municipal or government codes, ordinances or regulations presently existing in the building(s) into which its Products are to be installed and used.

Hardware

The basic hardware and fasteners included are to be used only in sound, solid blocking and sub straight materials as determined by qualified building professionals. Under no circumstances will Krown Lab be responsible for decisions by trades people or any one else involved in product installation.

Sliding Door Hardware

Terms & Conditions



KROWN LAB

Buyer's Acceptance of Terms and Conditions

These terms and conditions of sale applies to every contract of Krown Lab Inc. (Krown Lab) for the sale of goods Inc. (Krown Lab) for the sale of goods or articles (Products) to any person or entity (Buyer) who sends or otherwise requests to Krown Lab or its agent and order to purchase Products from Krown Lab. By placing any order for Products, the Buyer agrees to these Terms and Conditions of Sale. Any other terms or conditions which may at any time be indicated in the Buyer's order form or otherwise, shall be null and void and of no effect, even if not expressly objected to by Krown Lab.

Buyer's Compliance

Buyer is solely responsible for compliance with all applicable federal, state and local laws, ordinances, regulations, rules and standards relating to the installation, maintenance, use and operation of the Products.

Changes and Cancellations

Krown Lab is not obligated to accept any changes or cancellations once the Product has begun being created. Buyer is obligated to accept any Product that has been ordered.

Risk of Loss

The risk of loss for the Products shall pass to the Buyer upon delivery to carrier from Krown Lab premises. Buyer bears the risk of damage during shipment.

Delays

Krown Lab shall not be responsible for delay, non delivery or default in shipment if occasioned by strike, act of Thor, or event beyond the control of Krown Lab.

Product Pick-Up and Acceptance

It is the Buyer's responsibility to coordinate acceptance or pick-up of Product upon attempted delivery. Any costs or expenses incurred by Krown Lab as a result of the Buyer's failure to pick-up/accept the Products will be charged to the Buyer.

Design Ownership

The designs are and will remain the property of Krown Lab. Not under any circumstances does the Buyer have the right to duplicate the Products for any purpose.

Commercial Warranty

Krown Lab warrants the products against defects in workmanship for 10 years after shipment provided that the Product is used under the conditions for which it was designed, and is used for its intended purpose. Normal wear and tear of the Products are excluded from the warranty. Warranty does not cover damages resulting from accidents, misuse, fire, flood, or acts of nature.

Installation

All installation instructions are Krown Lab's recommendations only. Unit should only be installed considering locally prevailing building code and standards, and be done by qualified building professionals [experienced, competent tradesmen] with a comprehensive understanding of relevant material properties, and full building and site conditions. Krown Lab is not responsible for the inferior or incorrect installation performed by others. Krown Lab takes no responsibility of installation or performance of door panel, or any other component used in conjunction with track system. Krown Lab is not responsible for site conditions, including uneven floors or levels, walls out of square or plumb, for variations of size, design or shape of existing or new drywall (or any other material) openings, or by any other site-specific situation. Krown Lab is not responsible for any violations of building, electric, plumbing, zoning or other municipal or government codes, ordinances or regulations presently existing in the building(s) into which its Products are to be installed and used.

Hardware

The basic hardware and fasteners included are only to be used only in sound, solid blocking and substrate materials as determined by qualified building professional. Under no circumstances will Krown Lab be responsible for decisions by trades people or any one else involved in product installation.

KROWN LAB MAKES NO OTHER WARRANTY OF MERCHANTABILITY OF PRODUCTS OR OF THEIR FITNESS OR ANY PURPOSE OR ANY OTHER EXPRESS OR IMPLIED WARRANTY. PRODUCTS WHICH DO NOT CONFIRM TO THE DESCRIPTION, SHORT IN ANY RESPECT OR WHICH ARE DEFECTIVE IN MATERIAL OR WORKMANSHIP WILL BE REPLACED, REPAIRED OR, AT KROWN LAB'S OPTION, CREDIT FOR THEIR ORIGINAL PURCHASE PRICE WILL BE ALLOWED PROVIDED KROWN LAB IS NOTIFIED OF SUCH DEFECT WITHIN SEVEN (7) DAY AFTER DELIVERY AND BUYER RETURNS SUCH PRODUCTS IN ACCORDANCE WITH KROWN LAB'S INSTRUCTIONS. THE FOREGOING CONSTITUTES BUYER'S SOLE REMEDY AND KROWN LAB'S SOLE OBLIGATION WITH RESPECT TO PRODUCTS FURNISHED HEREUNDER. BUYER HEREBY AGREES TO WAIVE ANY AND ALL RIGHTS OR CLAIMS AGAINST KROWN LAB BY LAW OR EQUITY. KROWN LAB SHALL NOT BE LIABLE FOR DIRECT, INDIRECT, INCIDENTAL, SPECIAL OR CONSEQUENTIAL DAMAGES, UNDER ANY CIRCUMSTANCES, INCLUDING BUT NOT LIMITED TO DAMAGE OR LOSS RESULTING FROM INABILITY TO USE THE PRODUCTS, INCREASED OPERATING COSTS OR LOSS OF PRODUCTION, OR ANY OTHER DAMAGES, WHETHER ARISING FROM CAUSES SIMILAR OR DISSIMILAR TO THOSE ENUMERATED IS NOT WARRANTED BY KROWN LAB.