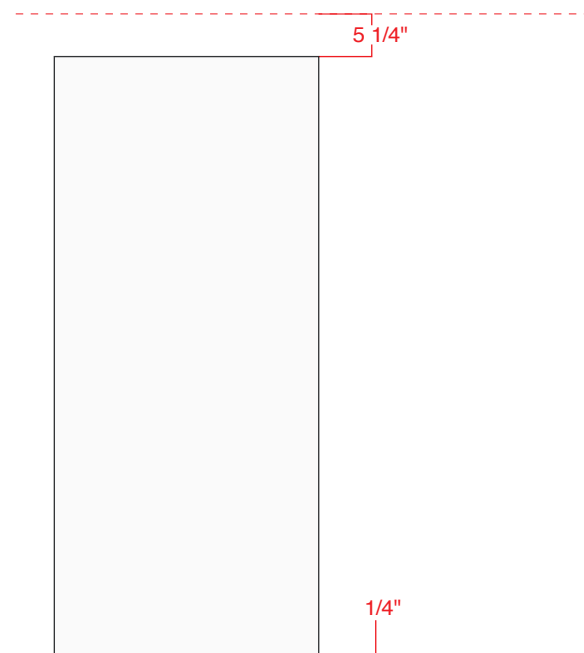
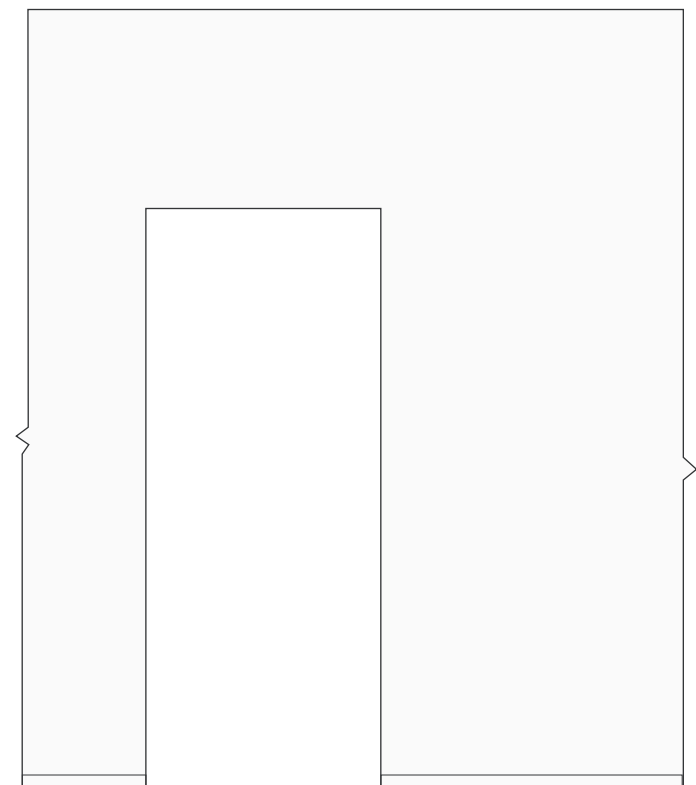


Sliding Door Hardware

BALDUR Installation Instructions



KROWN LAB



Read first:

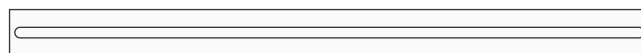
Please read through these instructions and the Terms and Conditions before beginning installation. Refer to the Full Specifications for structural requirements related to your installation.

Measure twice....

Before beginning installation, ensure that the hardware will allow your door panel to travel to desired open and closed positions following these instructions. Shifting track location laterally on the wall, as well as altering the location that the brackets are mounted on top of the door panel, could accommodate your particular installation requirements better than the standard instructions outlined in this document.

1. Determine accurate track height:

Add 5 1/4" to the overall height of the door panel. This is the height of the track mount screws that results in a door panel ground clearance of 1/4". This clearance is recommended if the included Bottom Guide Post assembly is used. In this case, a 1/2" deep and 1/2" wide channel needs to be routed out of the bottom of the door panel across its entire length as shown below.



Door panel bottom view

Note: A separate Bottom Guide track is available if routing out the bottom of the door panel is not preferred or not possible. If this product is installed, add 5 5/8" to the overall height of the door panel there needs to be a 5/8" clearance from the bottom of the door panel and the floor. Adjust above measurements accordingly.

Sliding Door Hardware

BALDUR Installation Instructions



KROWN LAB

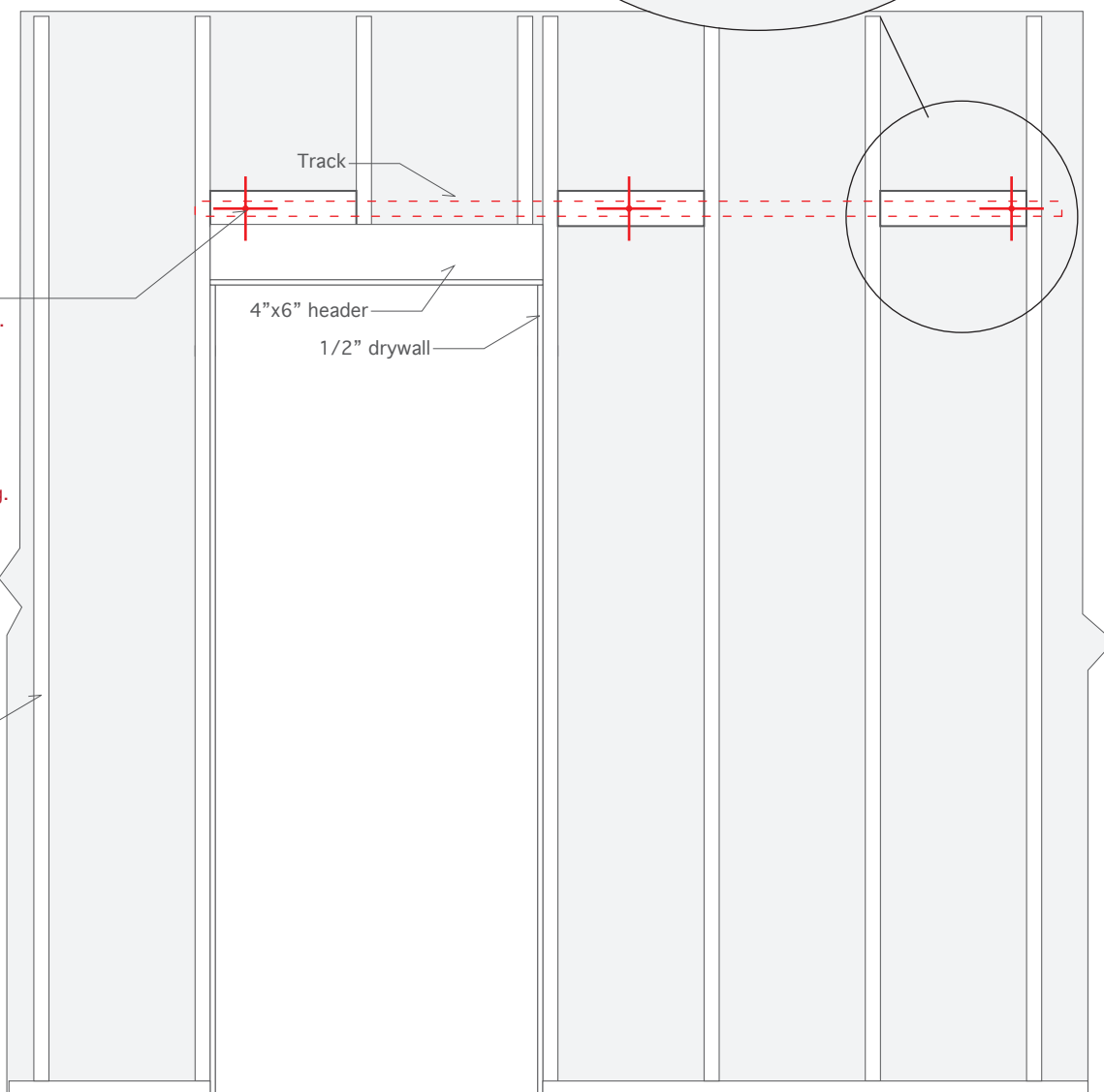
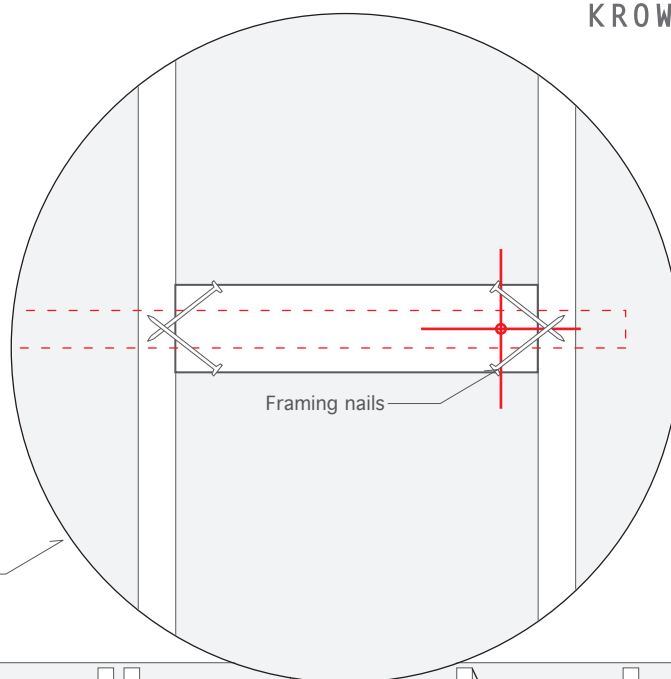
All of our sliding door hardware require that the track attachment points are properly engaged in structural material. It is really quite easy:

In new construction, simply ensure that appropriate blocking is added in the correct locations during framing prior to dry walling takes place. In renovations, cut open the drywall in between studs to insert appropriate blocking in the correct locations.

Reference the specifications for each particular product. Stud locations and spacing may vary in your wall.

Typical stud construction with studs at 16" on center, 4"x6" door header, and 1/2" drywall. Stud locations and spacing can be different in your wall.

2"x4" blocking shown secured between studs using framing nails



Height of blocking is driven by the overall height of door panel.

Track mounting point location is approximately 5" above the height of door panel depending on product.

Ensure that blocking is located in this area for secure mounting.

2"x4" studs

Track

4"x6" header

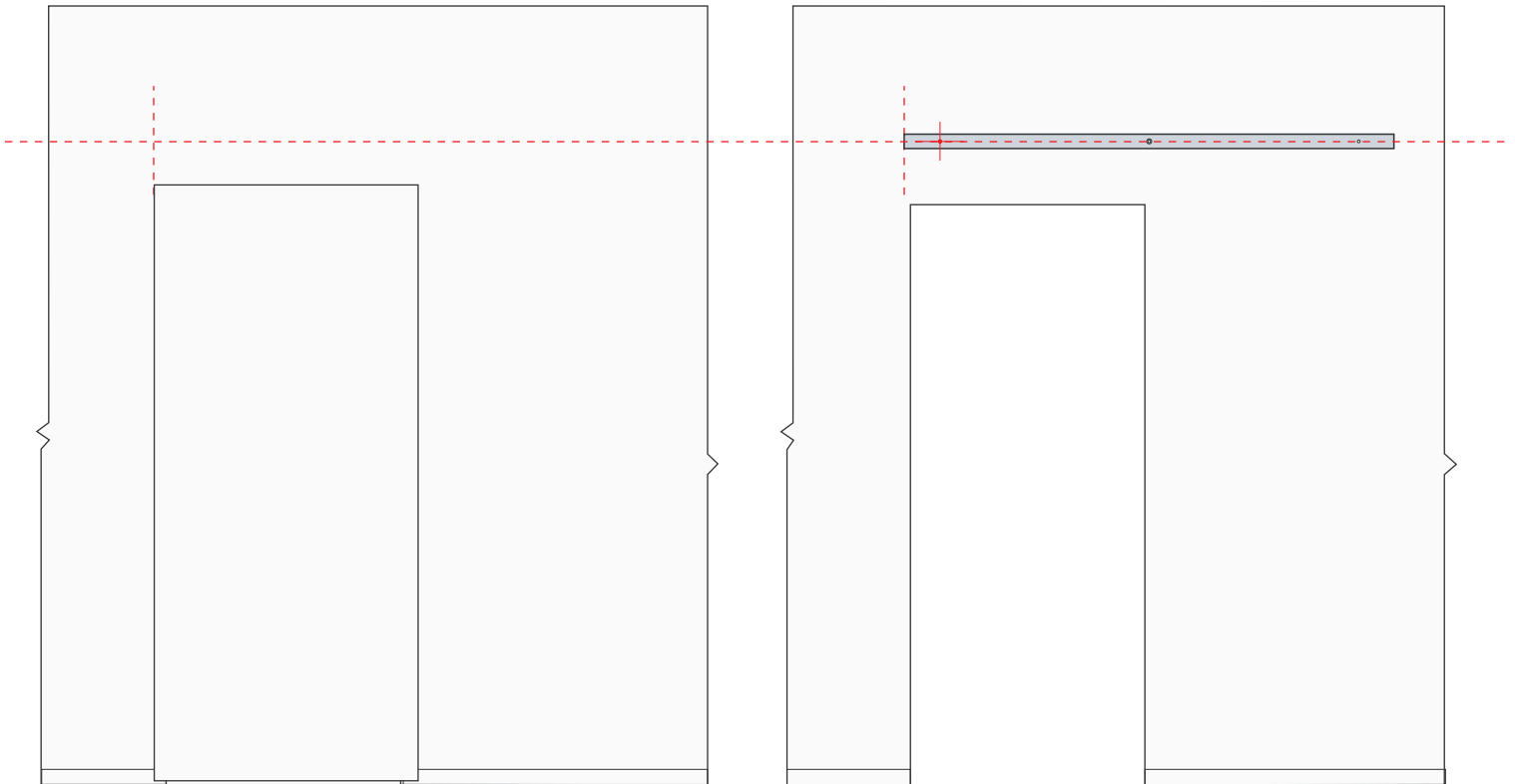
1/2" drywall

Sliding Door Hardware

BALDUR Installation Instructions



KROWN LAB



2. Determine door panel location:

Position door panel in front of door opening simulating your desired fully closed position. In most circumstances, we recommend that the door panel is centered on door opening. Project a line upward from door edge as shown. This line represents the edge of the track.

3. Determine first track mounting location:

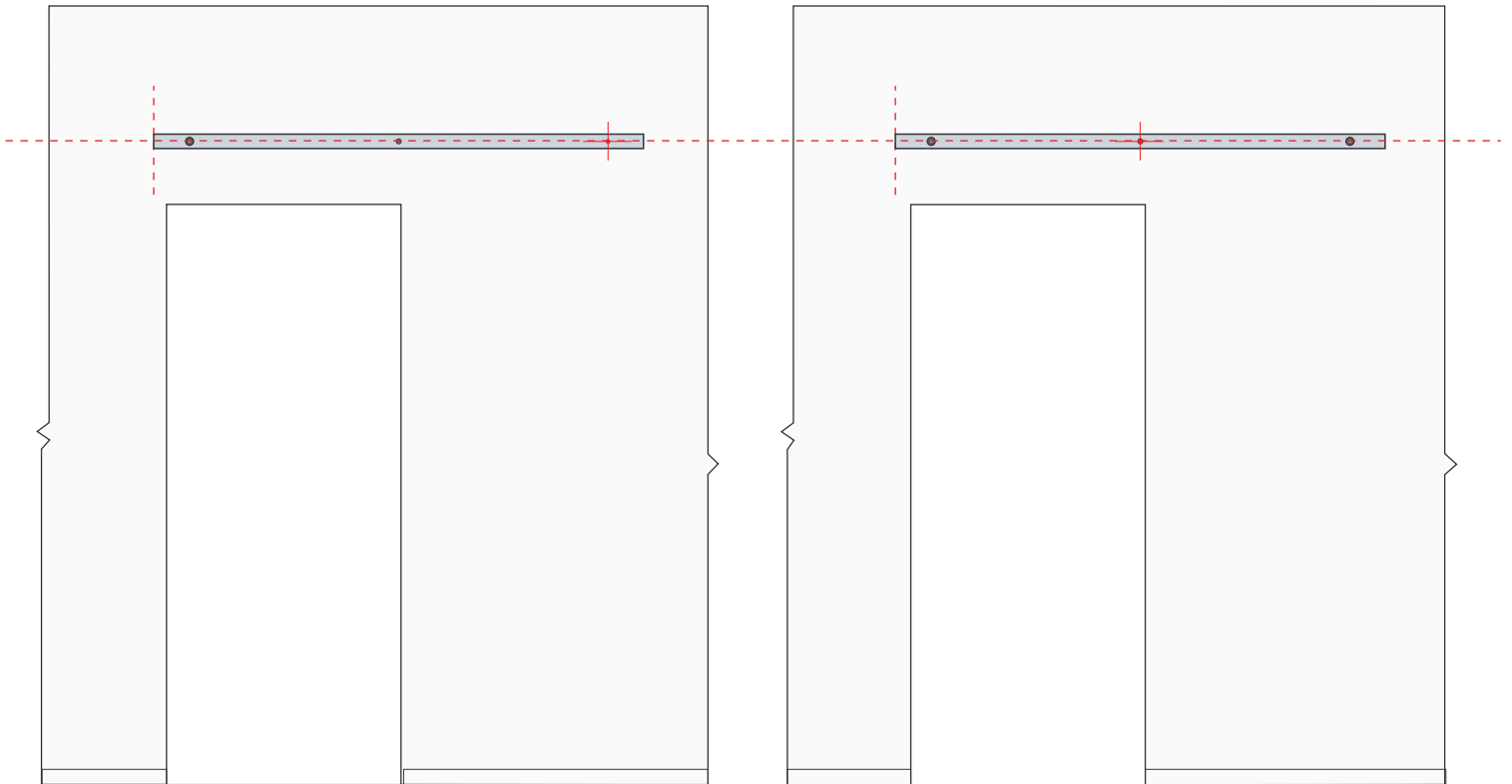
Position the track on the wall lining up with the projected lines as shown. Mark and pre-drill one track attachment location only. Ensure that there are structural members in the wall at all the attachment locations as outlined in the Full Specifications for your configuration.

Sliding Door Hardware

BALDUR Installation Instructions



KROWN LAB



4. Attach second end track mounting point:

Use a level to ensure that the track is perfectly horizontal. Mark, pre-drill, and install the other side of the track using the provided fastener assembly and track end mount.

Ensure that there are structural members in the wall at the attachment location as outlined in this document and the Full Specifications for your product.

5. Attach center track mounting point:

Mark, pre-drill, and install the center track mount using the provided fastener assembly and track center mount.

Note: Do not over tighten. The top of the screw head should sit about 1mm proud of the track surface

Ensure that there are structural members in the wall at the attachment location as outlined in this document and the Full Specifications for your product.

Note: If the Bottom Guide track* is used, install it to the bottom of the door before continuing.

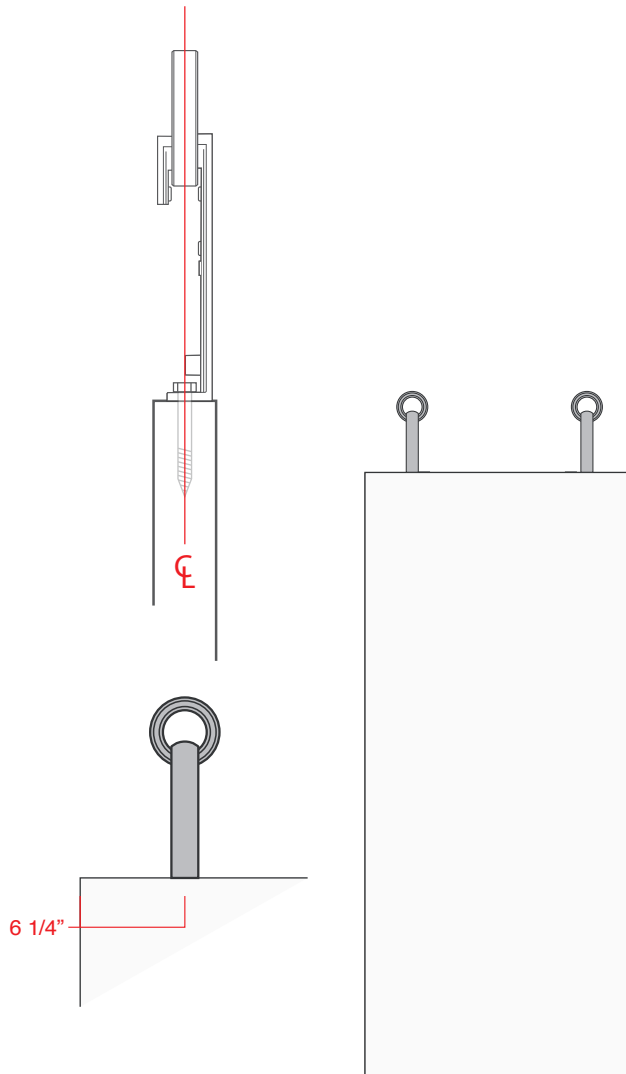
*Sold separately

Sliding Door Hardware

BALDUR Installation Instructions



KROWN LAB

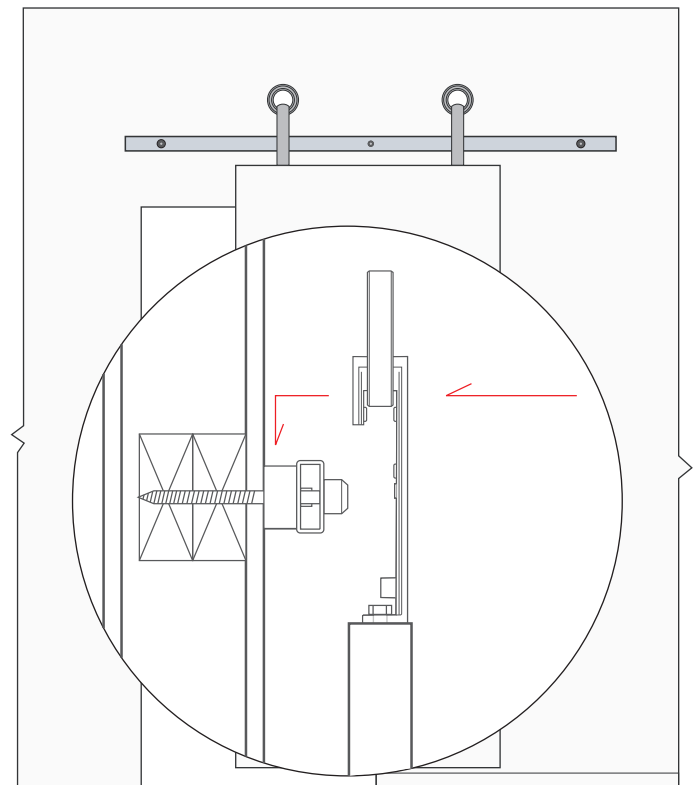


6. Attach brackets to top of door panel:

Position the brackets on top of the door panel as indicated above. Ensure that the bearing is directly centered above the center line of the door panel as shown above. Mark, pre-drill, and install using the provided fastener(s).

Following these instructions will make the edge of the door panel line up with the end of the track in fully closed and open positions. Adjust bracket mounting positions if desired.

Note: These instructions refer to all of our product configurations using our standard track end mounting positions 5" in from each track end. If this is a custom order, please adjust accordingly.



7. Attach door panel onto track:

Carefully lift the door panel with bracket assemblies and lower onto track as shown above. Be careful not to scratch the track surface.

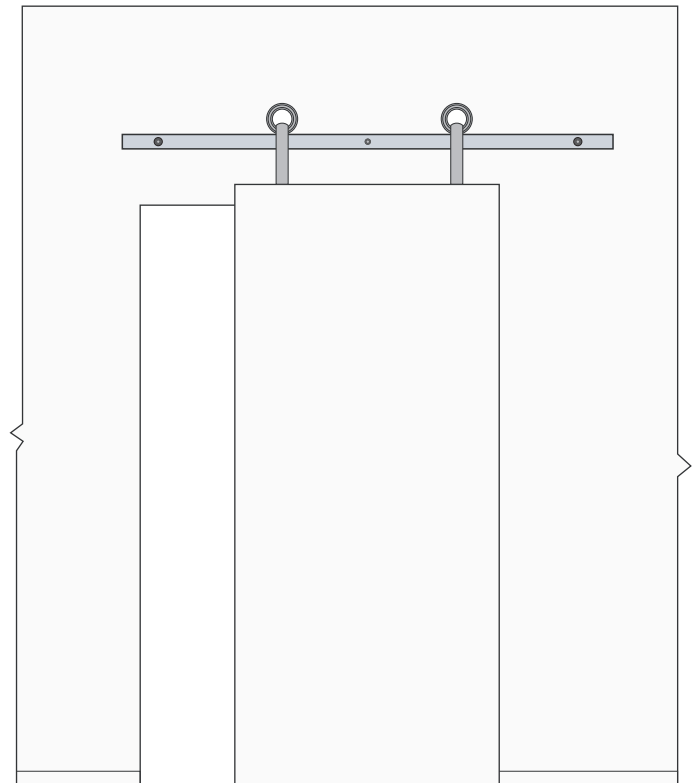
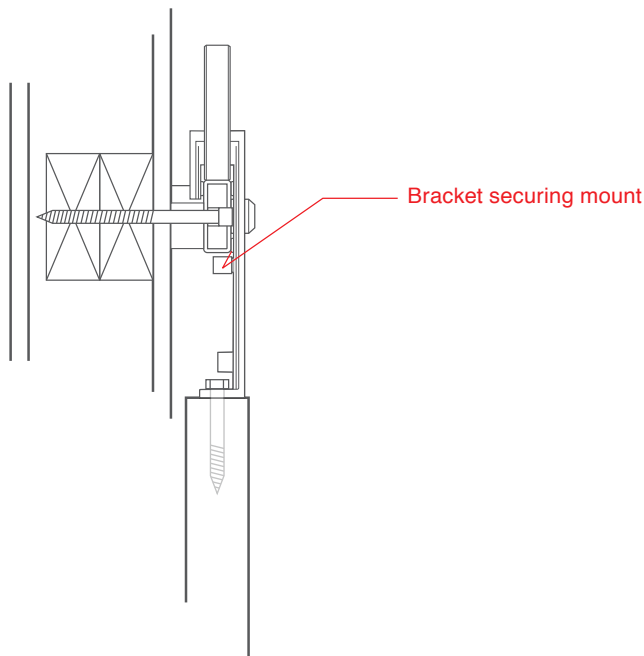
Note: Perform this operation with the door panel in a vertical position. Performing this action with the door panel at an angle can damage the hardware.

Sliding Door Hardware

BALDUR Installation Instructions



KROWN LAB



8. Attach bracket securing mounts:

Install the bracket securing mount on each bracket. Be careful not to scratch the product with the Allen wrench while performing this.

9. Finish installation:

After installation is completed remove all protective stickers and wipe down the product with a humid lint free cloth to remove finger prints. Do not use a Scotch Brite pad as this can scratch the surfaces.

(10). Bottom Guide post:

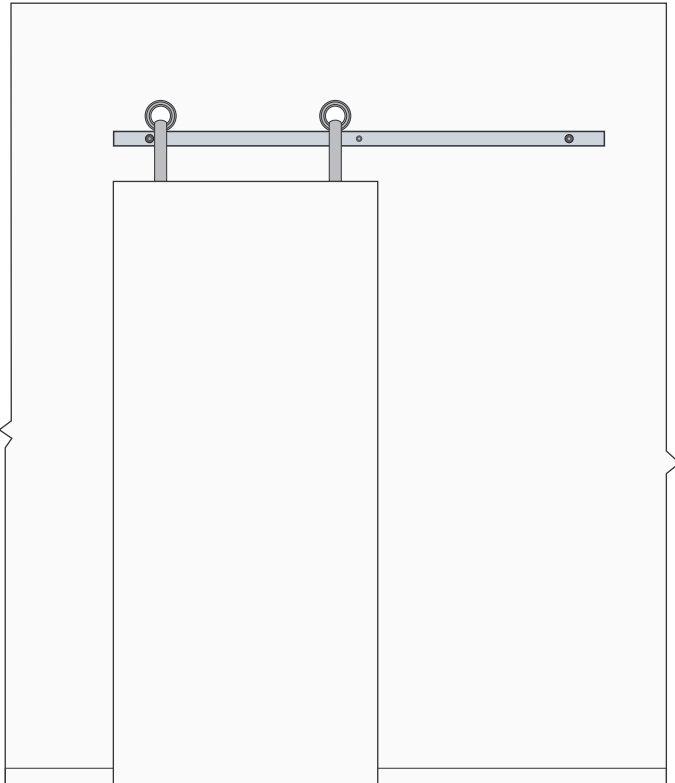
If Bottom Guide post is used, check the door panel location in fully open and closed position. Install the Bottom Guide Post immediately adjacent to the opening, ensuring that the door panel is properly engaging the post in both fully open and closed position. Install the Bottom Guide Post so that the door panel is allowed to hang perfectly plum.

Sliding Door Hardware

BALDUR Installation Instructions



KROWN LAB



Product care:

Our products are designed and engineered to last for a very long time. Baldur is made from high quality stainless steel which requires no on going maintenance. The bearings can occasionally be in need of lubrication to operate smoothly and quietly.

We hope you will enjoy our product!

Thanks,
The Krown Lab Team