

LOKI

GLASS MOUNT

Combine design simplicity and compact form with great value and long-lasting performance. Featuring the Tru-Level track system, obsessively designed for fast and precise installation. Made in the USA from high-grade billet aluminum.

FEATURES

- Fast and easy installs with the Tru-Level™ system, providing a full 1/4" vertical and lateral adjustment at all mounting points.
- Easily set and readjust door travel on site, even after install.
- High precision bearings provide silent and smooth door travel.
- Low profile design, provides highly versatile use.
- Accommodates glass, wood, metal-clad, and composite doors.
- ADA compatible door pull force at full panel weight.
- Designed in Portland, OR. Proudly Made In The USA.
- 10 year commercial warranty.

SPECIFICATIONS

- Single track lengths available up to 12' (142").
- Easily modify track length on site with common tools.
- Track drills easily on site.
- Multiple tracks can easily be joined together.
- Accommodates glass and framed walls.

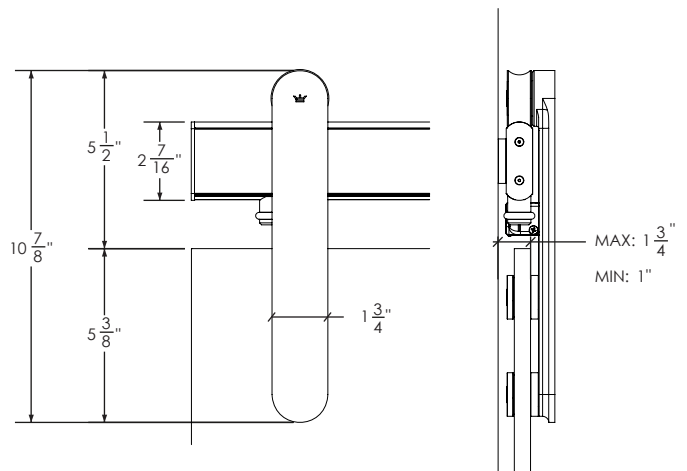
WHAT'S INCLUDED

- 1 x track system with all necessary mounting hardware.
- 2 x door stops.
- 2 x trolleys with all necessary door mounting hardware.
- 1 x door bottom guide.

Visit our website for all compatible options and add-ons.

DETAILS

- Standard compatible with glass panels 3/8" to 1/2" thick. Contact us for panels outside of this thickness range.
- Standard 200 lb door weight capacity. Choose Baldur or Oden for heavier door panels, or contact us.



QUICK LOOK

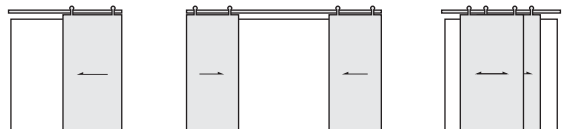
FINISH OPTIONS



Brushed Stainless

Black Stainless

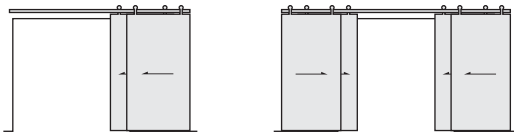
CONFIGURATIONS



Single

Bi-Part

Bypass



Bypass Stacked

Bi-Part Bypass

WEIGHT CAPACITY

200 lb per panel. Contact us for heavier door panels.

DOOR PANEL COMPATIBILITY

Glass, wood, metal-clad, and composite door panels.

MORE INFORMATION

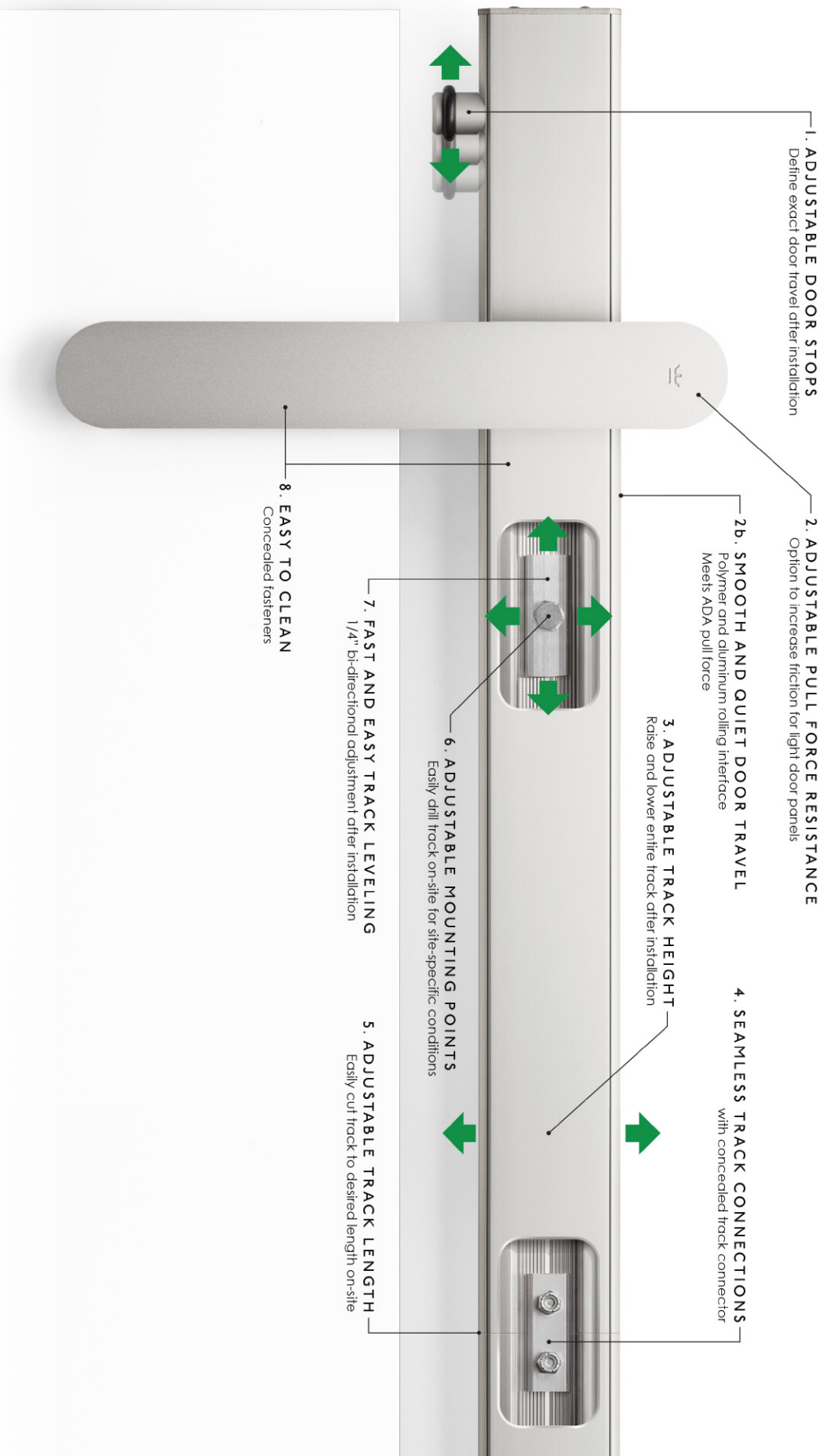
For more information visit: www.krownlab.com/loki

ORDERING AND PRICING

For inquiries or to place orders, please contact: support@krownlab.com, or call +1 503 292 6998. Trade discounts and volume pricing available.

LOKI

GLASS MOUNT



1. ADJUSTABLE DOOR STOPS
Define exact door travel after installation

2. ADJUSTABLE PULL FORCE RESISTANCE
Option to increase friction for light door panels

2b. SMOOTH AND QUIET DOOR TRAVEL
Polymer and aluminum rolling interface
Meets ADA pull force

3. ADJUSTABLE TRACK HEIGHT
Raise and lower entire track after installation

4. SEAMLESS TRACK CONNECTIONS
with concealed track connector

6. ADJUSTABLE MOUNTING POINTS
Easily drill track on-site for site-specific conditions

7. FAST AND EASY TRACK LEVELLING
1/4" bi-directional adjustment after installation

5. ADJUSTABLE TRACK LENGTH
Easily cut track to desired length on-site

8. EASY TO CLEAN
Concealed fasteners