

DOCUMENT: PRODUCT SPECIFICATIONS	DOOR APPLICATION: SINGLE, BI-PARTING, BYPASSING	DRAWING SCALE: 3/4" = 1'-0" (1:3)	KROWNLAB 2351 NW York St. Portland, OR 97210 +1 503 292 6998 www.krownlab.com support@krownlab.com
SYSTEM: INGER DOOR PULL	PANEL THICKNESS: SEE TABLE BELOW	UNITS: INCHES	
MOUNTING STYLE: WOOD AND GLASS*	MAXIMUM WEIGHT: N/A	DATE: 2/22/2022	

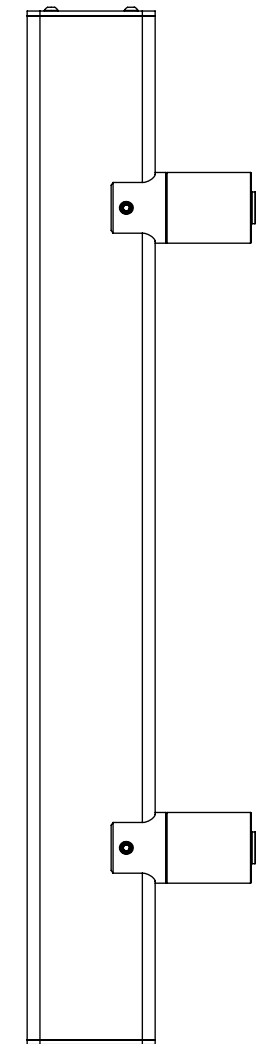
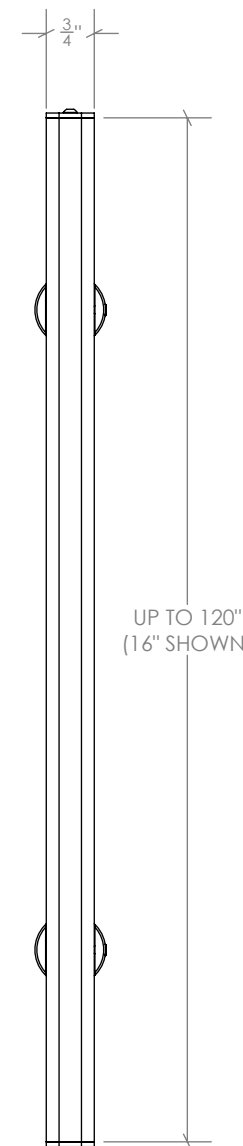
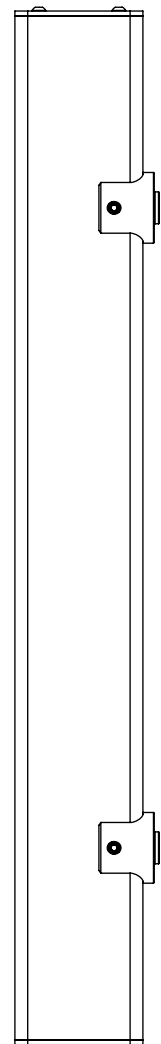
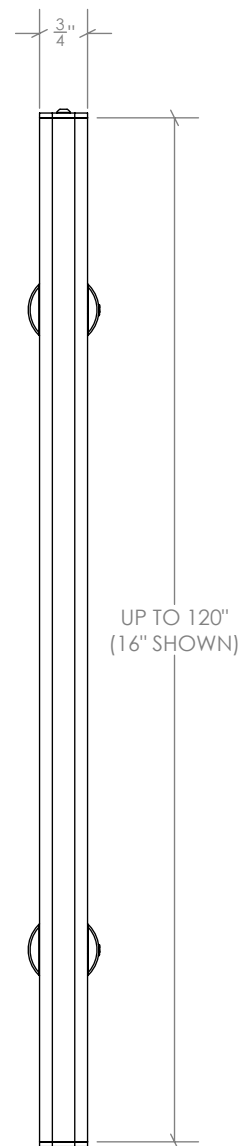
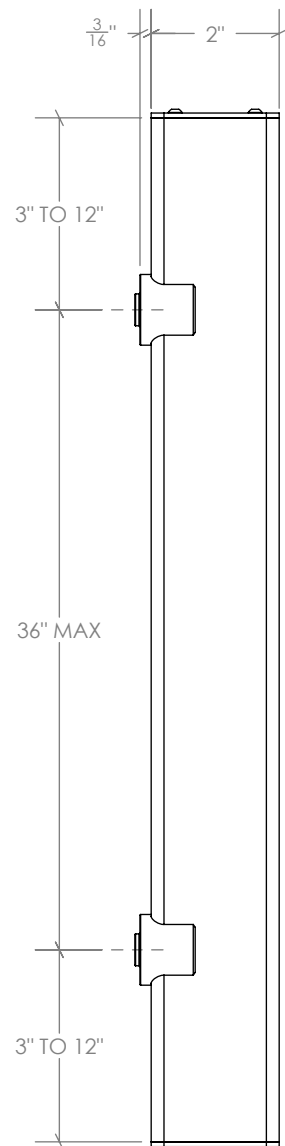
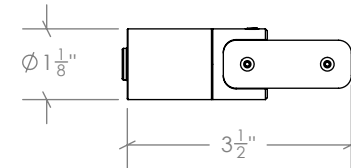
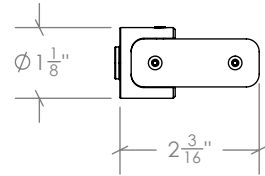


DOOR PANEL THICKNESS RANGE

WOOD	GLASS*
1-3/8" & UP	3/8" TO 1/2"

CONTACT US FOR PANELS OUTSIDE OF THIS RANGE

* = SEE GLASS SPECIFICATIONS PAGE FOR MORE INFORMATION



DOCUMENT:	PRODUCT SPECIFICATIONS	DOOR APPLICATION:	SINGLE, BI-PARTING, BYPASSING	DRAWING SCALE:	3/4" = 1'-0" (1:12)	KROWNLAB 2351 NW York St. Portland, OR 97210 +1 503 292 6998 www.krownlab.com support@krownlab.com
SYSTEM:	INGER DOOR PULL	PANEL THICKNESS:	INGER PULL CONFIGURATION DEPENDENT	UNITS:	INCHES	
MOUNTING STYLE:	WOOD & GLASS (SEE GLASS SPECIFICATIONS PAGE FOR MORE INFORMATION)	MAXIMUM WEIGHT:	N/A	DATE:	2/22/2022	



DOOR MOUNTING POINT CTC LOCATIONS MUST SATISFY THE FOLLOWING REQUIREMENTS:
 > CTC IS NO GREATER THAN 36"
 > END OF DOOR PULL EXTENDS 3" TO 10" BEYOND END MOUNTING POINT

16" PULL



24" PULL



48" PULL



56" PULL
(MAX LENGTH FOR
2 MOUNTING POINTS)



92" PULL
(MAX LENGTH FOR
3 MOUNTING POINTS)



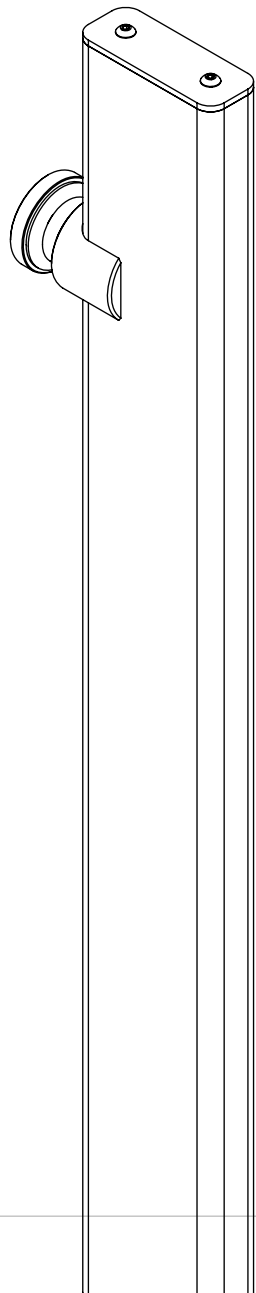
120" PULL
(MAX LENGTH)



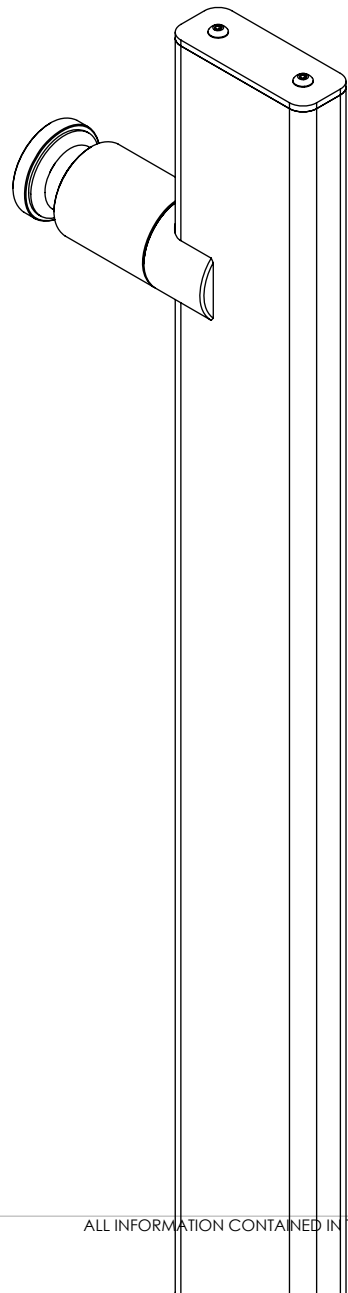
DOCUMENT:	PRODUCT SPECIFICATIONS	DOOR APPLICATION:	SINGLE, BI-PARTING, BYPASSING	DRAWING SCALE:	3/4" = 1'-0" (1:2)	KROWNLAB 2351 NW York St. Portland, OR 97210 +1 503 292 6998 www.krownlab.com support@krownlab.com
SYSTEM:	INGER DOOR PULL	PANEL THICKNESS:	INGER PULL CONFIGURATION DEPENDENT	UNITS:	INCHES	
MOUNTING STYLE:	GLASS (SEE GLASS SPECIFICATIONS PAGE FOR MORE INFORMATION)	MAXIMUM WEIGHT:	N/A	DATE:	2/22/2022	



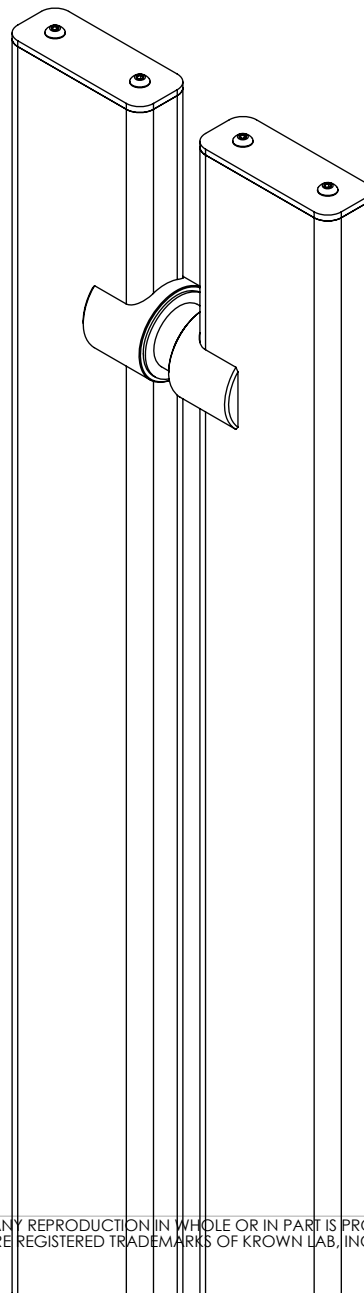
SINGLE SIDED - FLUSH



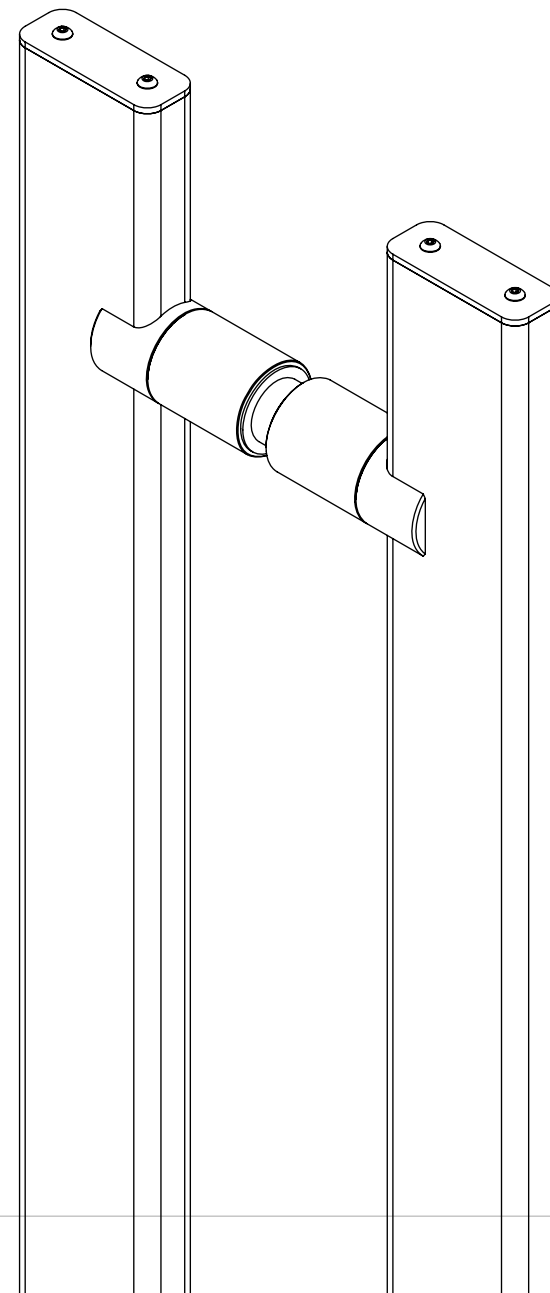
SINGLE SIDED - STANDOFF



DOUBLE SIDED - FLUSH



DOUBLE SIDED - STANDOFF



DOCUMENT: PRODUCT SPECIFICATIONS	DOOR APPLICATION: SINGLE, BI-PARTING, BYPASSING	DRAWING SCALE: 3/4" = 1'-0" (1:16)	KROWNLAB 2351 NW York St. Portland, OR 97210 +1 503 292 6998 www.krownlab.com support@krownlab.com
SYSTEM: INGER DOOR PULL	PANEL THICKNESS: 3/8" TO 1/2" (CONTACT US FOR PANELS OUTSIDE OF THIS RANGE)	UNITS: INCHES	
MOUNTING STYLE: GLASS	MAXIMUM WEIGHT: TROLLEY SYSTEM OR TRACK CONFIGURATION DEPENDENT	DATE: 2/22/2022	



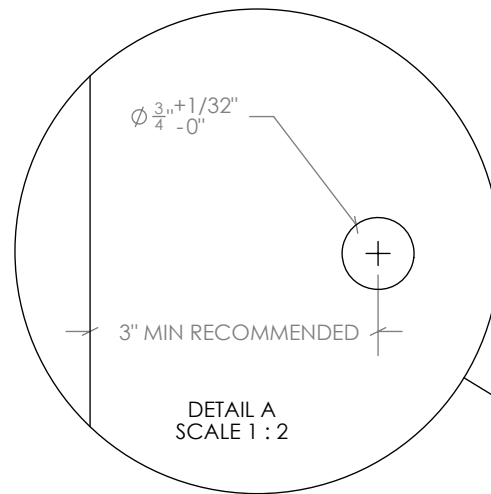
ALL GLASS PANELS AND FIXED MOUNTING HARDWARE MUST BE SOURCED THROUGH GLASS INSTALLER OR OTHER PARTY, AND MUST MEET THE FOLLOWING REQUIREMENTS:

GLASS PANELS MUST BE FLAT POLISHED AND HAVE A 1MM CHAMFER ON ALL EDGES.

ALL HOLES MUST BE DRILLED OR CNC MACHINED WITH STRAIGHT WALLS AND SEAMED EDGES. DO NOT WATER-JET - NO TAPERED HOLES.

ALL TEMPERED GLASS IS SUBJECT TO EXPERIENCE SPONTANIOUS BREAKAGE. IT IS THE BUYERS RESPONSIBILITY TO DETERMINE AND APPROVE GLASS SPECIFICATION(S) SUITABLE TO MEET ALL FACTORS RELEVANT TO THEIR PARTICULAR USE OR APPLICATION IN CONJUNCTION WITH ALL KROWN LAB, INC.'S PRODUCTS.

REFERENCE ASTM C1048, 7.9.5



DOOR MOUNTING POINT CTC LOCATIONS MUST SATISFY THE FOLLOWING REQUIREMENTS:
 > CTC IS NO GREATER THAN 36"
 > END OF DOOR PULL EXTENDS 3" TO 10" BEYOND END MOUNTING POINT

