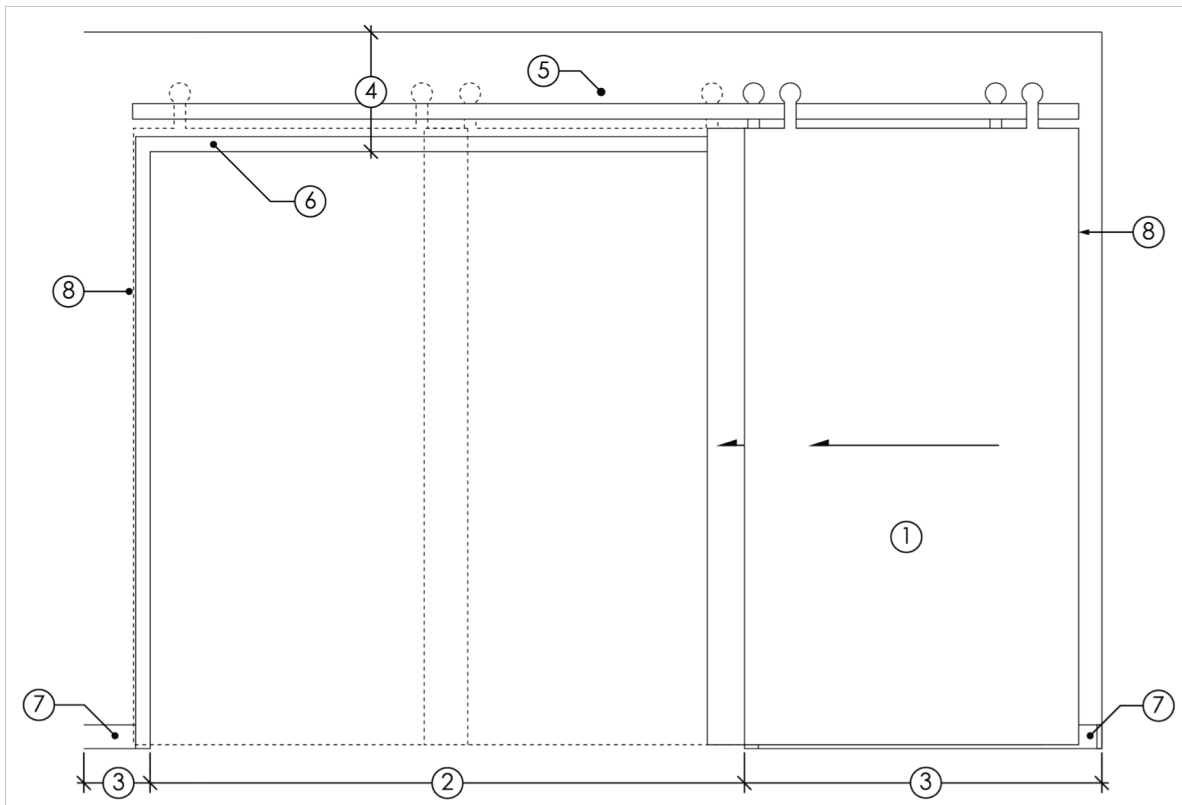


BARN DOOR PRODUCT CONFIGURATION GUIDE

BYPASSING STACKED DOORS



1. Have door panels been purchased? (Krownlab recommends configuring bypassing systems before ordering door panels to optimize door travel). If so,

- a.) What is the door weight?
- b.) What is the door panel width?c.)
What is the door panel thickness?d.)
What is the door material?

*** Note: Krownlab does not provide an extended door travel guide for the front door.**

2. What is the door opening width?
3. What is the width of the wall where the doors are positioned in the open position?
Is this to the left or right of door opening?
Is there wall space immediately adjacent to the door opening on the other side?
4. What is the height above the door opening?
5. What is the hardware mounted to? Framed wall, glass, steel, concrete?
6. Does the opening have door trim or the wall base molding? If so, how thick is it?
7. Are there any other protruding wall elements along the length of the installation?
8. Which hardware is preferred?
 - a.) Loki, Oden or Baldur system?
 - b.) Top Mount, Face Mount, or Glass Mount?
 - c.) Which finish?
10. Will you be using a door pull? If so,
 - a.) Single or double-sided?
 - b.) What is the make and model?
11. Is there a perpendicular wall or any other obstruction immediately adjacent to this door installation? If so,
 - a.) What type?
 - b.) Where is it located?